

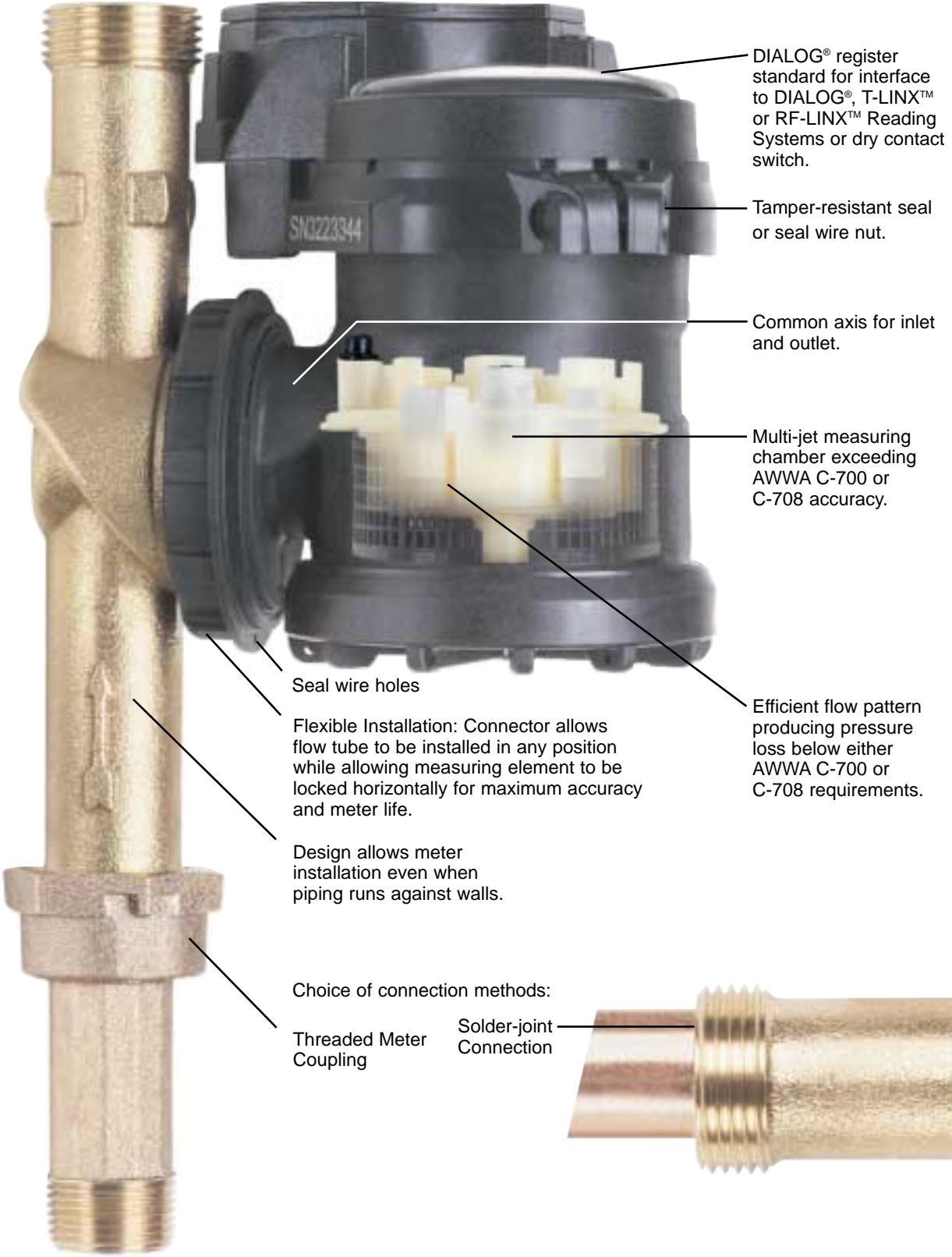
Flexible Axis Meter



**Revolutionizing
Residential Metering**



Flexible Axis Meter: Innovative,



Practical, Labor and Cost-Saving

To revolutionize residential meter installation, Master Meter introduces the new standard of comparison for the 21st century, the Flexible Axis Meter (FAM). Along with a 360° installation range and choice of connection methods, FAM offers maximum performance in a design that exceeds American Water Works Association (AWWA) accuracy, operating, design and material standards¹.

Install At Any Angle

For quicker and less expensive meter installation, the FAM provides complete installation flexibility. The FAM Flow Tube can be installed horizontally, vertically or at any angle in between. Regardless of the angle of Flow Tube installation, the measuring chamber sits horizontally, in the ideal position for accurate measurement. No need for costly meter setters in non-horizontal installations or for re-plumbing when meters are replaced in non-level settings. When piping runs against walls or between studs, the FAM measuring chamber's orientation allows easy installation without re-plumbing - making submetering retrofit affordable in many previously impractical installations.

Choice of Connectors

To further simplify installation, the Flexible Axis Meter Flow Tube can be installed either with threaded or solder-joint connections. For submetering applications this eliminates the need for meter couplings, further reducing installation cost.

Eliminate Jumper Tubes

FAM also eliminates the need to install jumper tubes in submetering applications during construction or major renovation. The FAM Flow Tube is supplied with a plug that allows water flow through the line for flushing and system pressure testing. When it's time for meter installation, just unscrew the plug and replace with the measuring element.

Complies Fully with AWWA Specifications

The Flexible Axis Meter exceeds the accuracy and head loss specifications of both AWWA Specification C-708 (multi-jet meters) and C-700 (positive displacement meters). Master Meter goes further than the AWWA specifications for materials, manufacturing the FAM Flow Tube of SeBiLOY® II to exceed the AWWA copper-content specification and the low lead requirements of NSF-61² and California Proposition 65.

Further, the Flexible Axis Meter meets all AWWA C-708 operating and design criteria, including the critical flow range and meter length specifications. Adherence to accepted standards insures future user flexibility and provides protection against end-user or regulatory legal challenges.

Accurate (and Quiet) By Design

Maximum accuracy is designed into the Flexible Axis Meter. The FAM Flow Tube provides a straight run of pipe upstream and downstream of the measuring element to condition the flow for maximum accuracy. Its installation flexibility allows the measuring element always to be positioned for maximum accuracy and extended life.

The Flexible Axis Meter employs the multi-jet measurement principle, proven to offer the noiseless operation critical for submetering and inside-set utility meters.

Electronic Reading Compatible

The DIALOG® register, which interfaces to all Master Meter reading systems - DIALOG® on site reading, T-LINX™ advanced telephone AMR and RF-LINX™ fixed network radio, or dry contact switch is supplied standard in the Flexible Axis Meter. For users who wish to read manually at present and convert to electronic reading in the future, upgrade is simplified, accomplished by adding only the appropriate output module. An optional lid is available for manual-read pit-set installations.

Flexible Axis Meter...

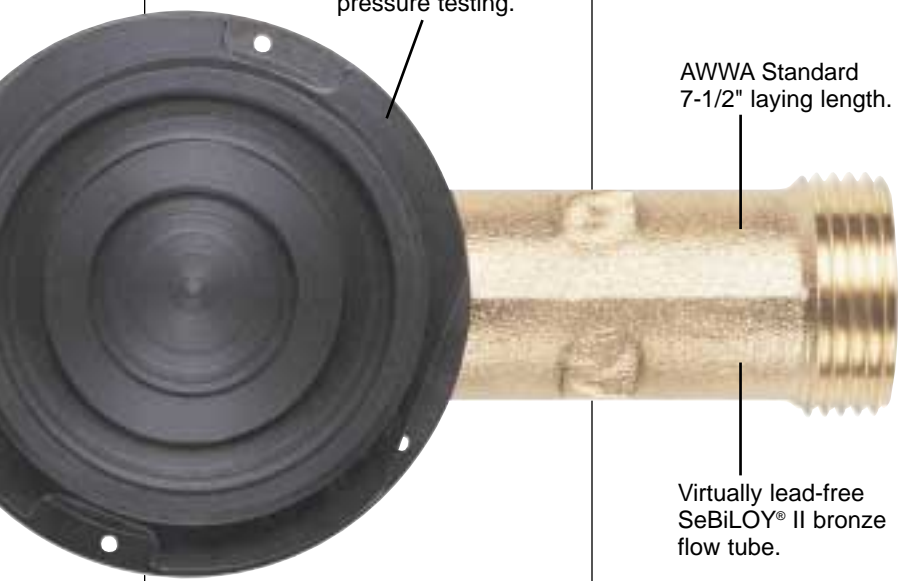
- ... Lowering installation cost even under adverse piping conditions;
- ... Meeting or exceeding all operating, design and performance requirement of the utility and submetering markets;
- ... Compatible with state-of-the art reading systems.

Master Meter - leading metering into the 21st Century.

Removable plug for installation during line flushing and pressure testing.

AWWA Standard 7-1/2" laying length.

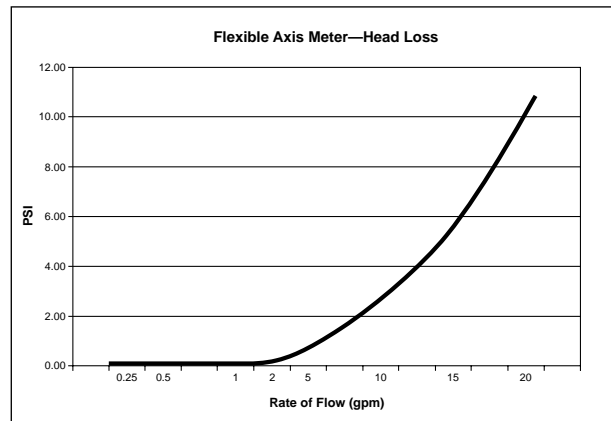
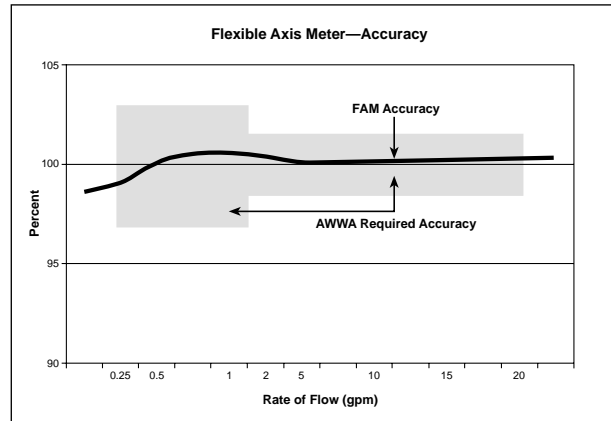
Virtually lead-free SeBiLOY® II bronze flow tube.



Performance and Materials

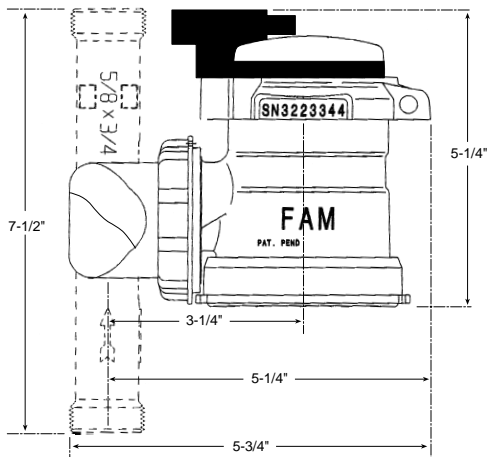
Characteristic	Flexible Axis Meter 5/8" x 3/4"	AWWA C-708 5/8" x 3/4"
Operating Capacity	20 gpm	20 gpm
Maximum Rate for Continuous Duty	15 gpm	10 gpm
Maximum Pressure Loss at Maximum Flow	10.9 psi	15 psi
Normal Flow Range ($\pm 1-1/2\%$)	1 - 20 gpm	1 - 20 gpm
Minimum Flow ($\pm 3\%$)	1/4 gpm	1/4 gpm
Maximum Working Pressure	150 psi	150 psi
Maximum Working Temperature	120° F	105° F
Meter Casing Spuds, Nominal Thread Size	1"	1"
Nominal Pipe Size	3/4"	3/4"
Weight	2.2 lbs.	Not specified
Materials:		
Main Case	SeBiLOY II, 86% copper	Copper alloy, minimum 75% copper
Measuring Chamber	Glass-reinforced Nylon	85% copper or engineered plastic
Register Construction	Glass lens, stainless steel case, rubber gasket	Not specified

Performance Curves

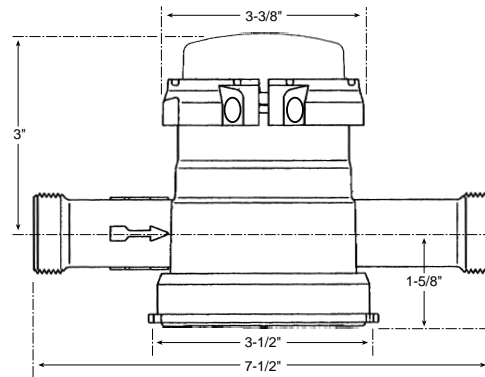


Dimensions

Vertical Installation



Horizontal Installation



100 E. 15th Street, Suite 350
Fort Worth, TX 76102
800-765-6518
817-336-3837 (817-33-METER)
FAX: 817-336-3840
e-mail: sales@mastermeterinc.com

Distributed by:

